

msl
Seats

DIAMOND LUXURY - 2x1

STYLE



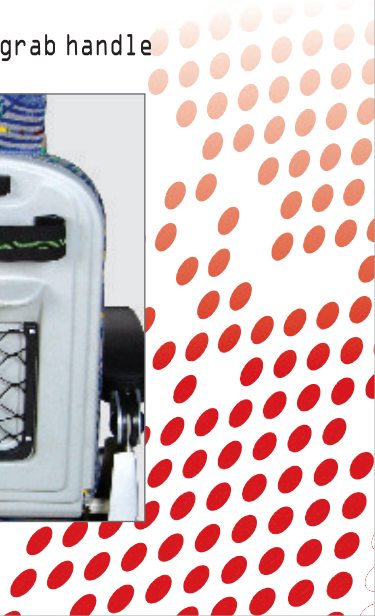
Durable arm rest

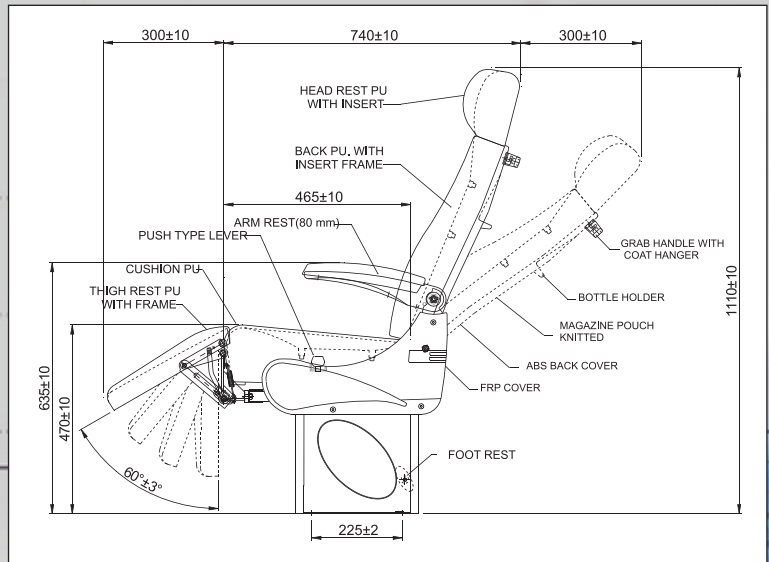
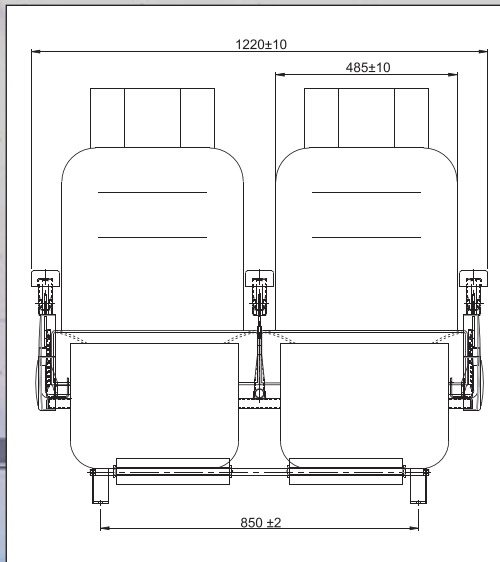


ABS back with stylish grab handle



COMFORT





DIAMOND LUX. 2x1 SEAT - Technical Specifications

Structure:	Fabricated ERW tubes conforming to IS:3074-1979, Channels & pressed components conforming to IS:513 and IS: 1079 . All MIG welding. Pretreated and Powder coated for longer life
Footrest :	Adjustable or Fixed.
Side cover :	Moulded FRP.
Back tray :	Aesthetically designed vacuum formed ABS backsheet.
Grab Handle:	PVC black hook type.
Gas spring :	High quality compression type tested for longer life and smooth operation.
Thigh rest:	Comfortable Mechanical thigh rest (OPTIONAL)
Magazine Pouch:	Attractive spacious pouch enhancing Seat back aesthetics.
P.U.Cushion :	P.U.moulded material hardness 18 1 kgf.
P.U.Back:	P.U.Back moulded material hardness 12 1 kgf.
Plywood:	For seat cushion 12 mm thick ply confirming to IS: 303:1975
Upholstery :	Raymond Dauby/Aunde/G-Fab.
Armrest :	PU Armrest 80mm.
Overall Dimensions:	
Overall height:	1110 mm +/- 10
Overall cushion height:	470 mm +/- 10
Overall width for double seater :	1220 mm +/- 10
Overall width for single seater :	648 mm +/- 10
Span of the seat Normal position:	740 mm +/- 10
Seating depth :	465 mm +/- 10

Mobility Solutions Ltd.

Head Office: Plot No. 75, 1st Floor, Industrial Area, Phase-1 Chandigarh 160 002 INDIA Tel: +91 172 3013095-96 Fax: +91 172 3013097
 Works: Ambala-Chandigarh Road, Lalru 140 501 District Patiala Punjab INDIA Tel: +91 1762 308200-201 Fax: +91 1762 308236 Website : www.msllndia.net