

**msl**  
Seats

PANTHER Comfy (3x2)

STYLE



Vacuum formed ABS side cover

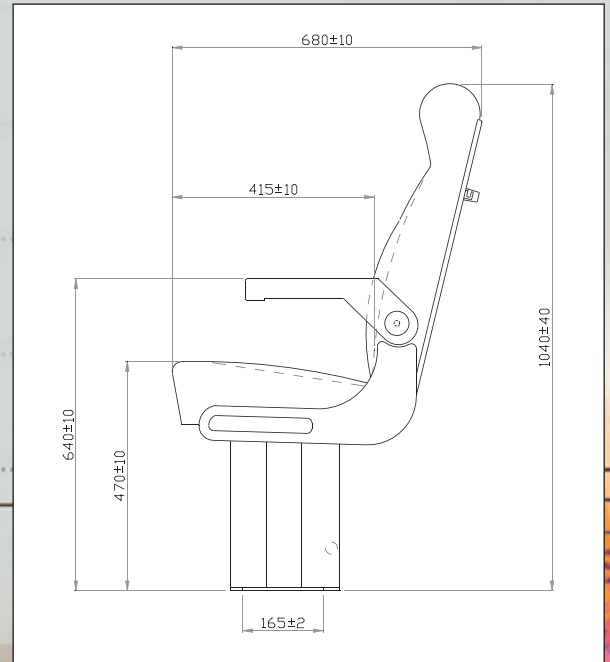
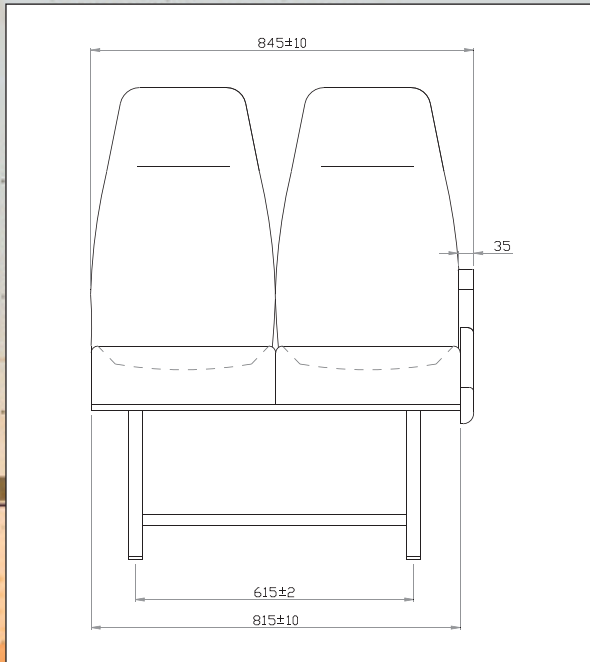


ABS back with stylish grab handle



COMFORT

Manufactured in and suitable  
in a range of applications. The outside  
plastic part of the chair is a special  
kind of plastic which is  
generally known as PVC. It  
has the ability to be fully formed  
in the shape of a chair.



**PANTHER Comfy(3x2) Seat - Technical Specifications**

- Structure:** Fabricated ERW tubes confirming to IS:3074-1979, channels & pressed components confirming to IS:513 and IS: 1079 . All MIG welding. Pre Treated and Powder coated for longer life.
- Footrest :** Fixed type.
- Side cover :** Vacuum formed ABS.
- Backsheet :** Aesthetically designed vacuum formed ABS.
- Grab Handle :** PVC black hook type.
- P.U.Cushion :** P.U. moulded cushion, material hardness 18 1 kgf.
- P.U.Back :** P.U. moulded Back, material hardness 12 1 kgf.
- Plywood :** For seat cushion 12mm ply is used confirming to IS: 303:1975
- Upholstery :** Raymond Dauby/Aunde/G-Fab
- Gangway Armrest :** PU Armrest 35mm.

**Overall Dimensions :**

- Overall height :** 1040mm+/-10
- Overall width for double seater :** 845mm+/-10
- Overall width for Three seater :** 1245mm+/-10

**Mobility Solutions Ltd.**

