



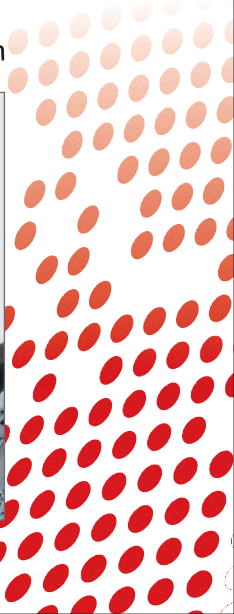
Durable arm rest

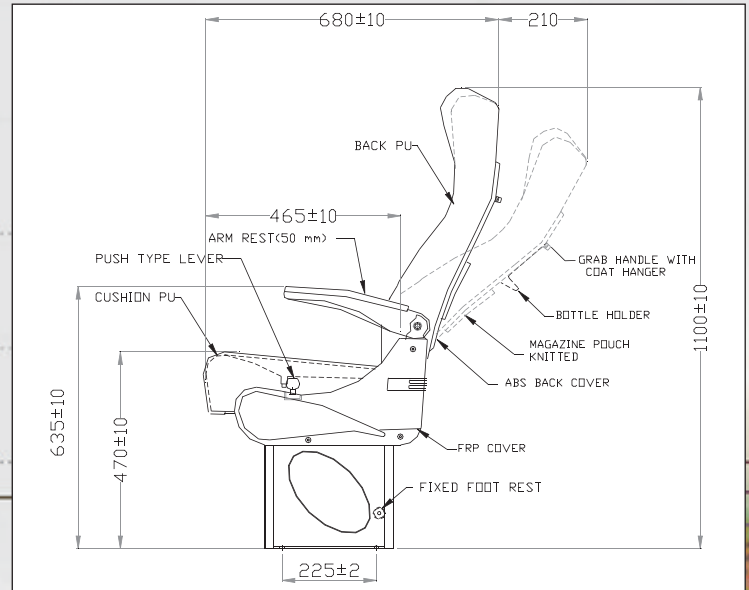
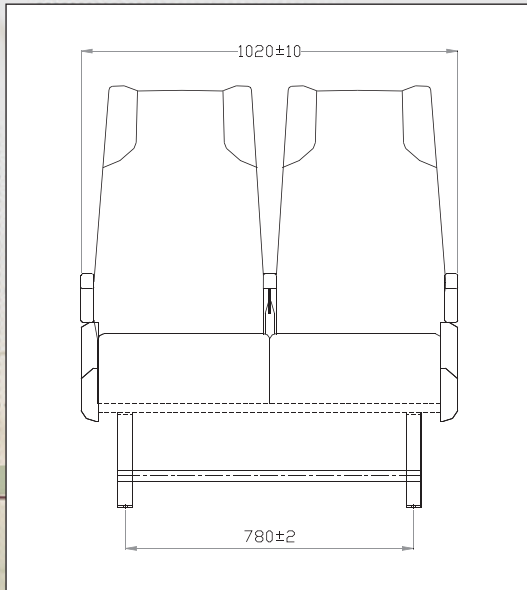


Designer magazine pouch



COMFORT





**PEARL DLX 2x2 Seat - Technical Specifications**

<b>Structure:</b>	Fabricated ERW tubes conforming to IS:3074-1979, channels & pressed components conforming to IS:513 and IS: 1079 . All MIG welding. Pre Treated and powder coated for longer life
<b>Footrest:</b>	Adjustable or fixed type
<b>Side cover:</b>	Moulded FRP
<b>Back-sheet:</b>	Aesthetically designed vacuum formed ABS back sheet.
<b>Grab Handle:</b>	PVC black J - hook type
<b>Gas spring:</b>	High quality compression type tested for longer life and smooth operation
<b>Magazine Pouch:</b>	Attractive spacious pouch enhancing Seat back aesthetics
<b>Cushion PU</b>	Molded PU hardness 18±1 kgf
<b>Back PU:</b>	Molded PU hardness 12±1 kgf
<b>Plywood:</b>	For seat cushion 12mm ply conforming to IS: 303:1975
<b>Upholstery:</b>	Raymond Dauby/Aunde/G-Fab.
<b>Armrest :</b>	PU Armrest 50mm.
<b>Overall Dimensions:</b>	
<b>Overall height:</b>	1100 mm +/-10
<b>Overall cushion height:</b>	470 mm +/-10
<b>Overall width for double seat:</b>	1020 mm +/-10
<b>Span of the seat Normal position:</b>	680 mm +/- 10
<b>Seating depth :</b>	465 mm +/- 10

**Mobility Solutions Ltd.**