



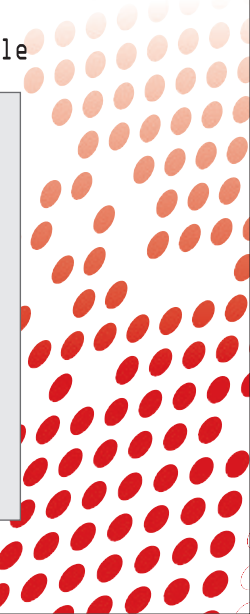
Special top grab handle

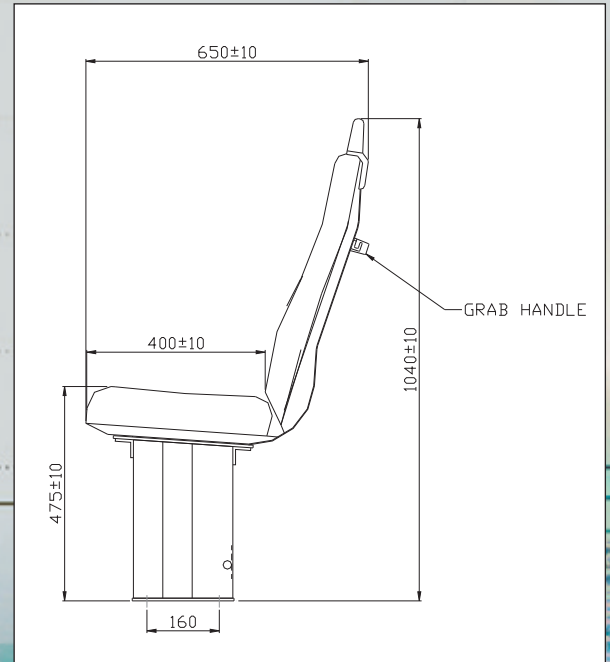
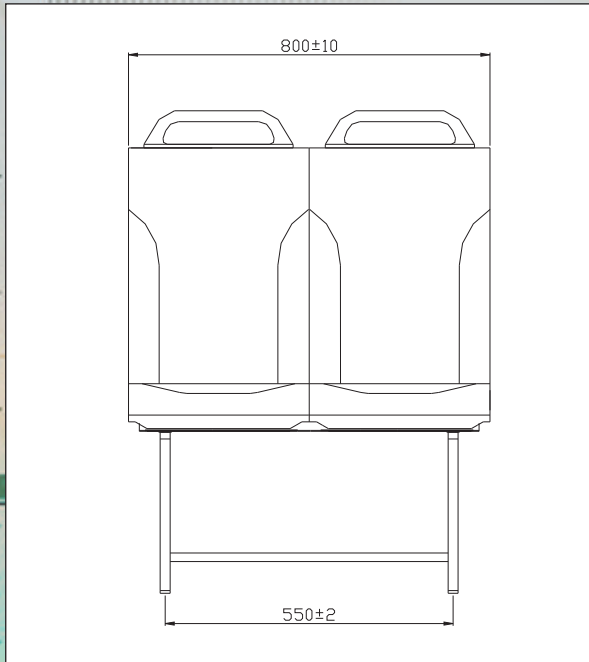


ABS back with stylish grab handle



COMFORT





RANGER Comfy(3x2) Seat - Technical Specification

- Structure :** Fabricated using □25.4x1.63mm ERW pipe. All MIG welding. Pre Treated and Powder coated for longer life.
- Footrest :** Fixed pipe □19x1.63mm, pipe.
- Seat Pans (Legs) :** It is made out of sheet metal in one piece having thickness of 1.6mm. Confirming to IS specifications IS 513 steels.
- ABS Backsheet :** Aesthetically designed vacuum formed ABS Backsheet.
- Top Grab Handle :** Black Integral Moulded P.U. with M.S. Insert.
- P.U. Cushion :** P.U. cushion Moulded type having Material Hardness 18±1 kgf
- P.U. Back :** P.U. Back Moulded type having Material Hardness 12±1 kgf.
- Ply Wood :** For Seat cushion 12mm ply confirming IS:303:1975.
- Rexine/Fabric :** Raymond Dauby/Aunde/G-Fab
- Overall Dimensions :**
- Overall height :** 1040mm+/-10
- Overall width for double seater :** 800mm+/-10
- Overall width for Three seater :** 1200mm+/-10

Mobility Solutions Ltd.