

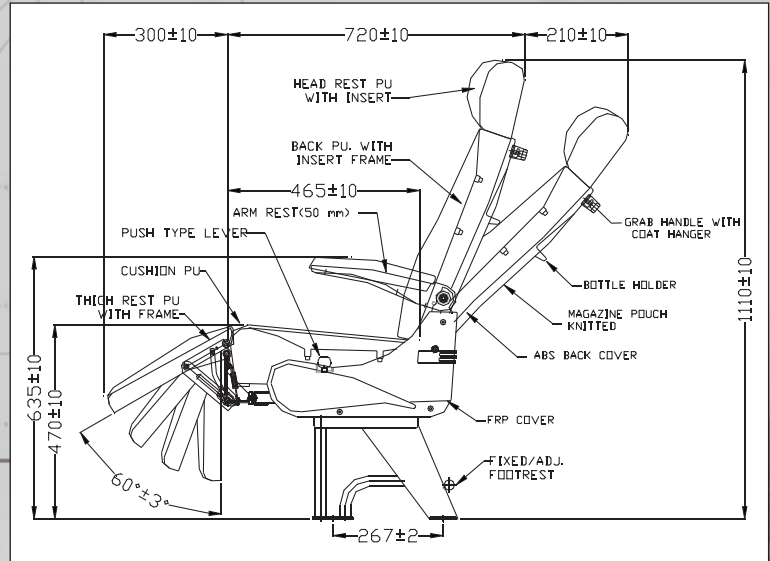
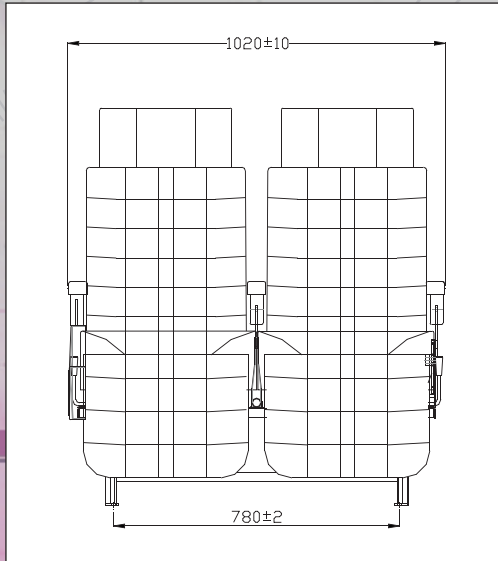


Durable arm rest



Designer magazine pouch





SAPPHIRE-1 DLX. 2x2 SEAT - Technical Specifications

Structure :	Fabricated ERW tubes conforming to IS:3074-1979, channels & pressed components conforming to IS:513 and IS: 1079 . All MIG welding. Pre Treated and powder coated for longer life
Footrest :	Adjustable or Fixed
Side Cover :	Moulded FRP.
Back Tray :	Aesthetically designed vacuum formed ABS back sheet.
Grab Handle :	PVC black J - hook type.
Gas spring :	High quality compression type tested for longer life And smooth operation.
Thigh rest :	Comfortable Mechanical thigh rest (OPTIONAL)
Magazine Pouch :	Attractive, spacious pouch enhancing Seat back aesthetics.
P.U.Cushion :	P.U.moulded material hardness 18 1 kgf.
P.U.Back :	P.U,Back moulded material hardness 12 1 kgf.
Plywood :	For seat cushion 12 mm ply confirming to IS: 303:1975
Upholstery :	Raymond Dauby/Aunde/G-Fab.
Armrest :	PU Armrest 50mm.
Overall Dimensions :	
Overall height :	1110 mm +/- 10
Overall cushion height :	470 mm +/- 10
Overall width for double seater :	1020 mm +/- 10
Span of the seat Normal position :	720 mm +/- 10
Seating depth :	465 mm +/- 10

Mobility Solutions Ltd.