

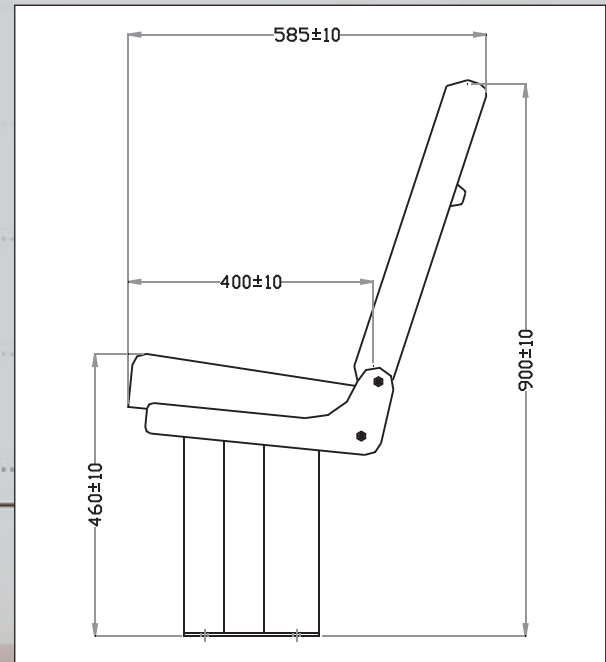
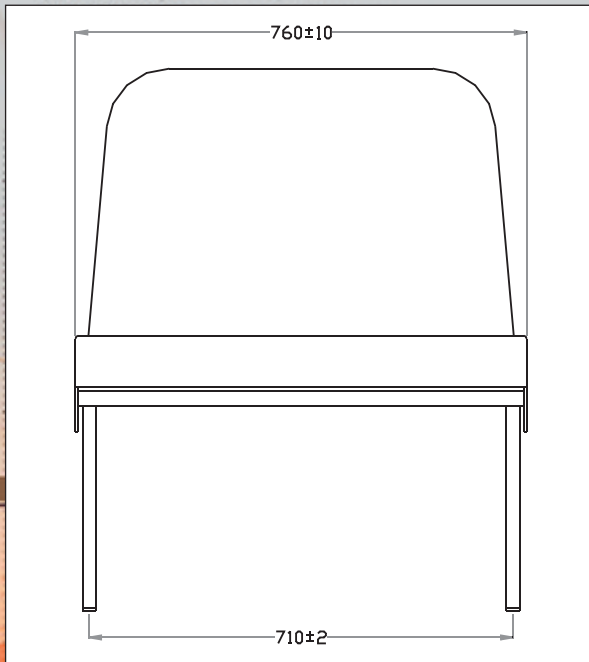


Smooth finish



ABS back with stylish grab handle





STANDARD CITI (3x2) SEAT - Technical Specifications

Structure:	Fabricated ERW tubes conforming to IS:3074-1979, channels & pressed components conforming to IS:513 and IS: 1079 . All MIG welding. Pre Treated and powder coated for longer life.
Back Cover :	P.P. Moulded back cover.
Grab Handle :	PVC black hook type.
P.U.Cushion :	P.U.moulded material hardness 181 kgf.
Plywood :	For seat Cushion 12 mm Thk ply is used conforming to IS:303:1975
Upholstery :	RAXINE.
Overall Dimensions :	
Overall height :	900 mm +/- 10 mm
Overall cushion height :	460 mm +/- 10 mm
Overall width for double seater :	760 mm +/- 10 mm
Span of the seat Normal position :	585 mm +/- 10 mm
Seating depth :	400 mm +/- 10 mm

Mobility Solutions Ltd.