



Vaccum formed ABS side cover

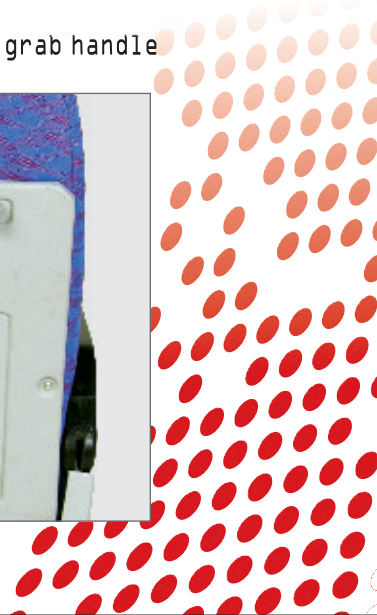


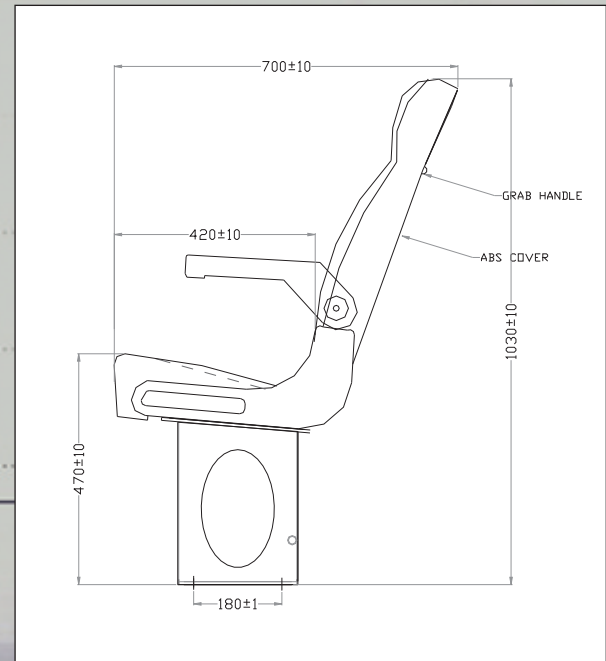
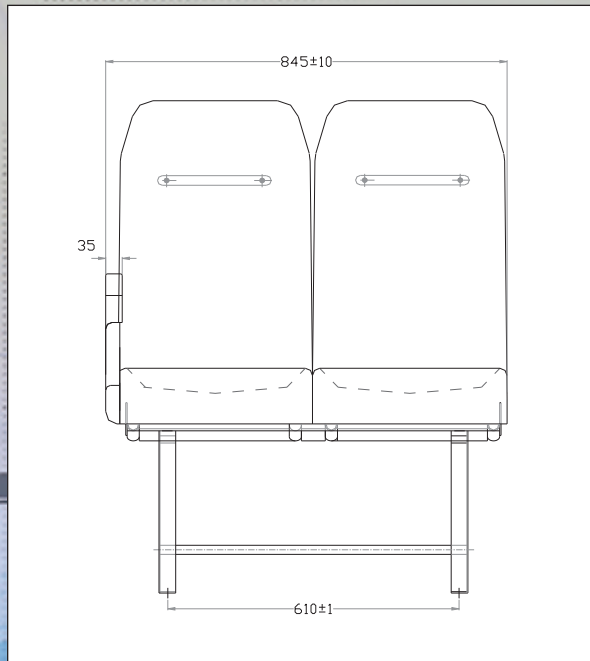
ABS back with stylish grab handle



COMFORT

Dimensions of seat and width are specified in millimeters. The width of the seat is 450 mm. The width of the seat is 450 mm. The width of the seat is 450 mm.





**LUXOR Comfy(3x2) Seat - Technical Specifications**

<b>Structure:</b>	Fabricated ERW tubes confirming to IS:3074-1979, channels & pressed components confirming to S:513 and IS: 1079 . All MIG welding. Pre Treated and Powder coated for longer life.
<b>Footrest :</b>	Fixed type.
<b>Side cover :</b>	Vaccum formed ABS.
<b>Backsheet :</b>	Aesthetically designed vaccum formed ABS.
<b>Grab Handle :</b>	PVC black hook type.
<b>P.U.Cushion :</b>	P.U. moulded cushion, material hardness 18 1 kgf.
<b>P.U.Back :</b>	P.U. moulded Back, material hardness 12 1 kgf.
<b>Plywood :</b>	For seat cushion 12mm ply is used confirming to IS: 303:1975
<b>Upholstery :</b>	Raymond Dauby/Aunde/G-Fab
<b>Gangway Armrest :</b>	PU Armrest 35mm.
<b>Overall Dimensions :</b>	
<b>Overall height :</b>	1030mm+/-10
<b>Overall width for double seater :</b>	845mm+/-10
<b>Overall width for Three seater :</b>	1245mm+/-10

**Mobility Solutions Ltd.**